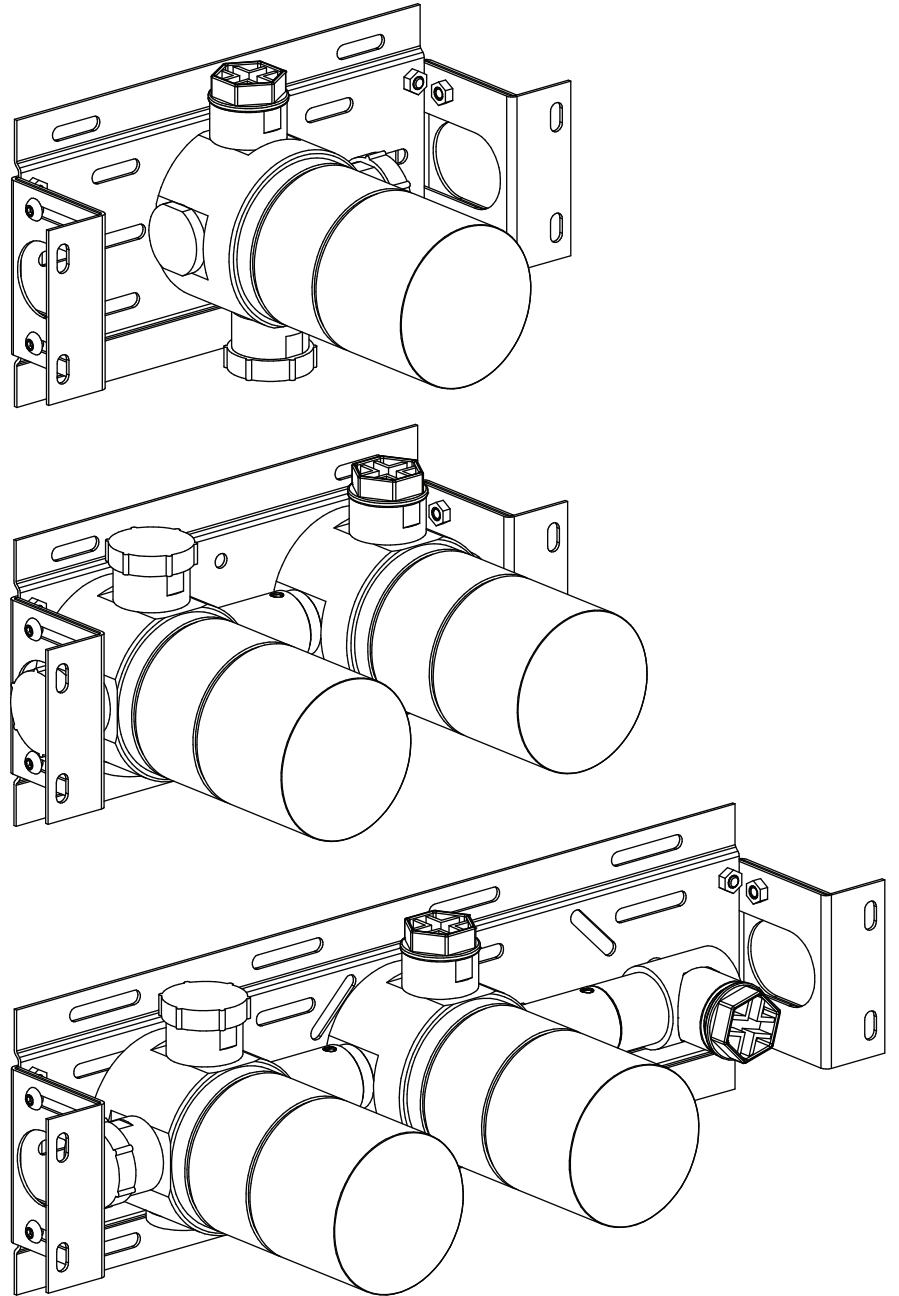
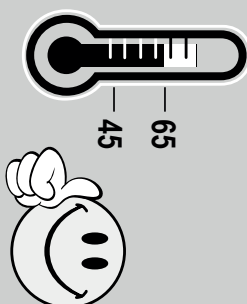
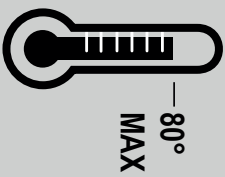
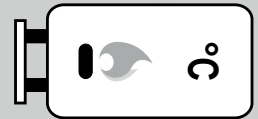
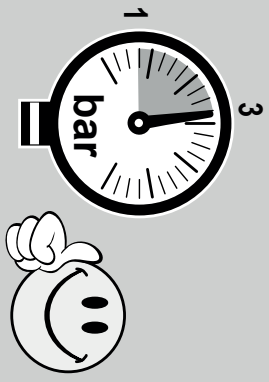
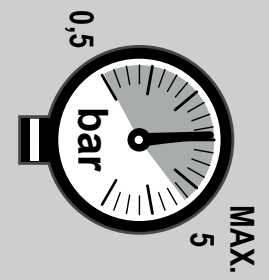
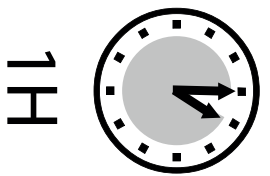
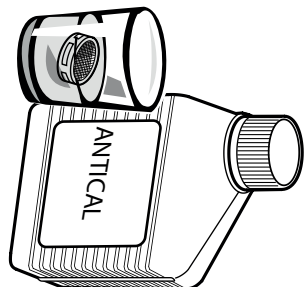
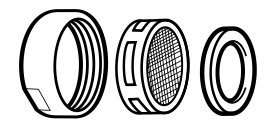
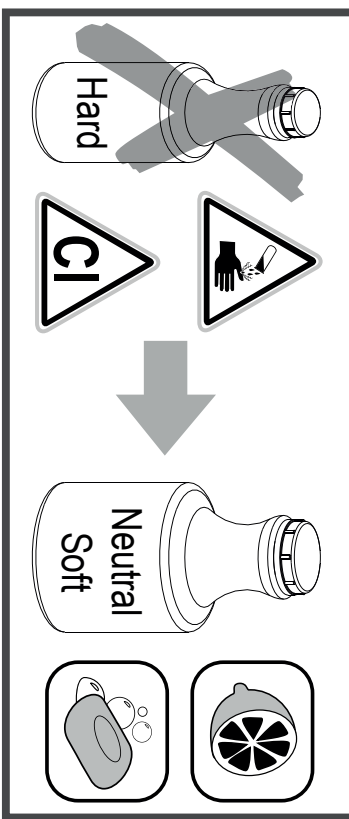
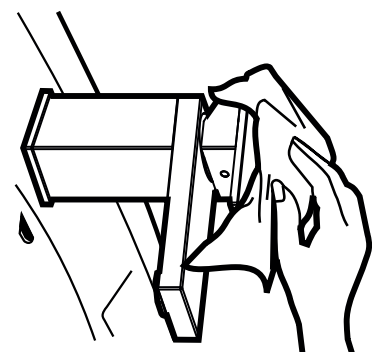
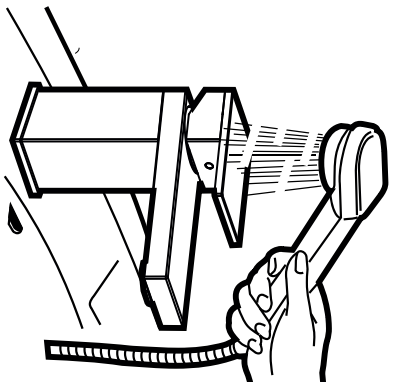
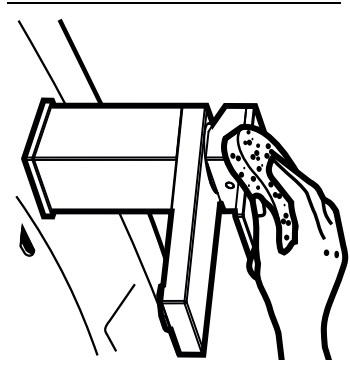
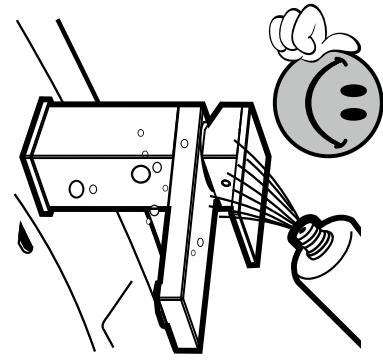


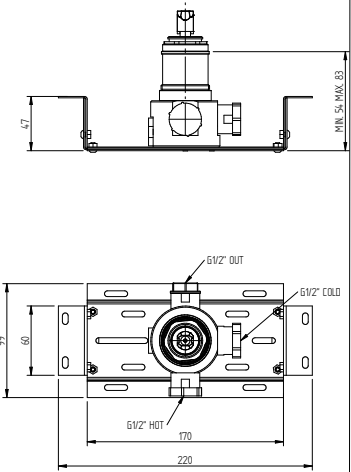
SUPER INOX®



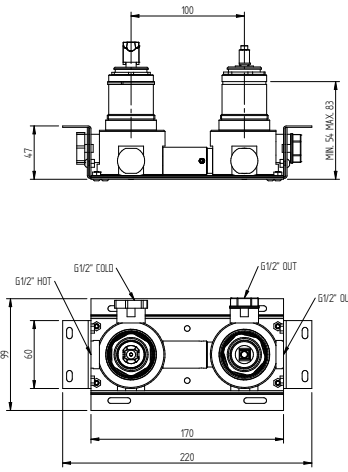
Made in Italy



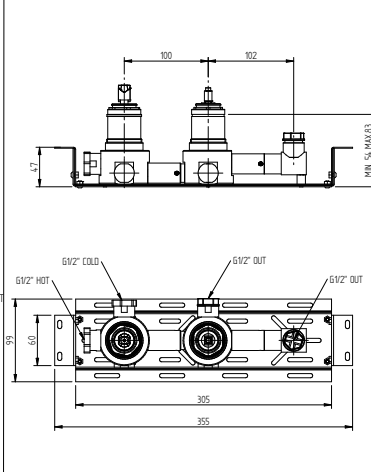
0274037X



0274038X



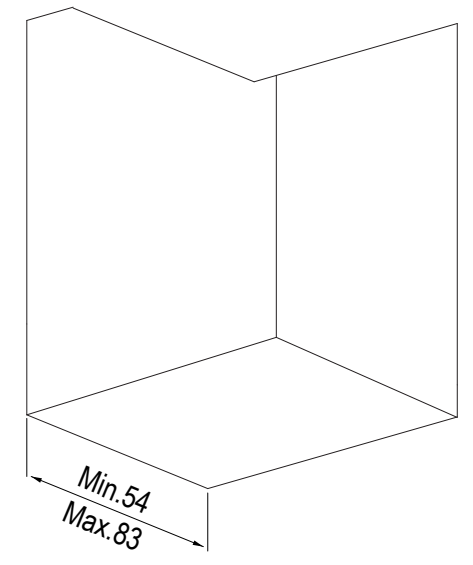
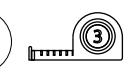
0274039X



1



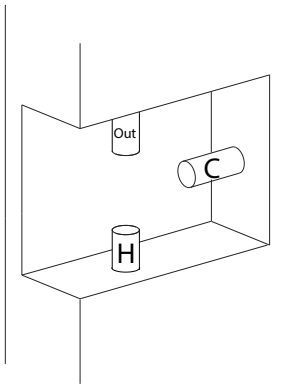
2



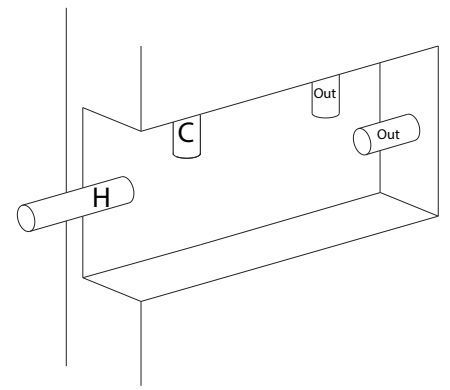
Depth Min.54 Max.83 with wall cladding

3

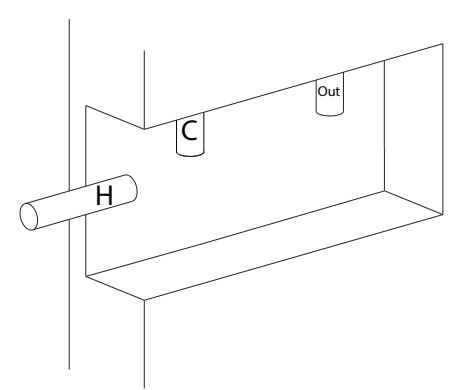
0274037X



0274038X



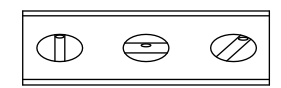
0274039X



3.1



After the operation 3, Test the plant !
If the test is Ok, go with the point 4!



4

